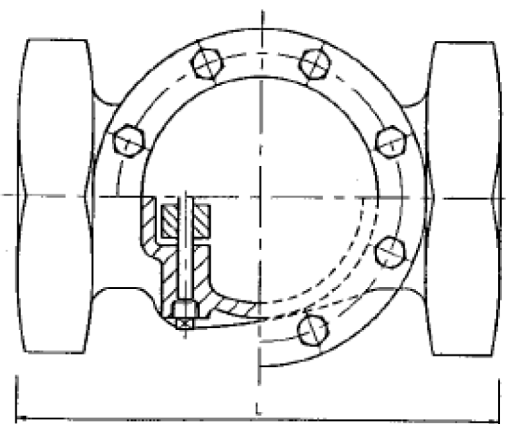
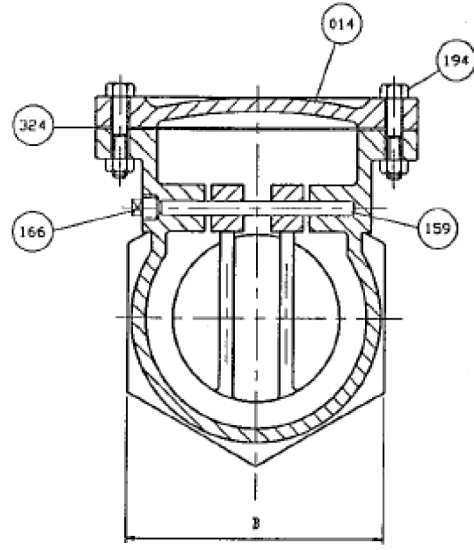
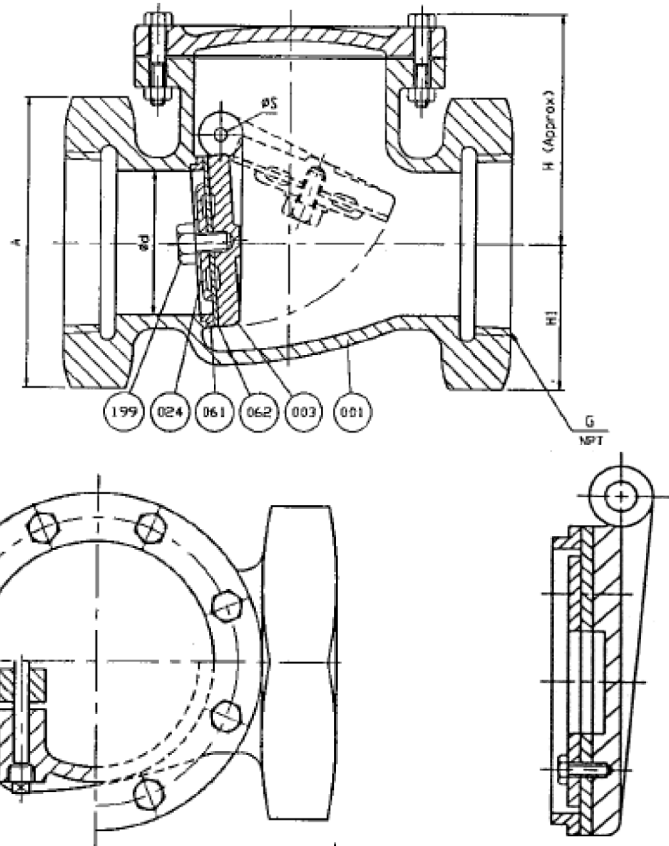


- ISO-9002
- Check Valve-Threaded Ends
- 200 CWP
- Resilient Seat
- Epoxy Coating
- Bolted Cover
- Conforms to MSS-SP-71
- Threaded Ends Conform to ANSI / ASME B1.20.1
- Sizes 2" - 8"



For Size 8"

PART #	SIZE (IN)	L	A	B	G	H	H1	APPROX. LBS
CICV04-02	2	7.00	3.63	3.16	2.00	4.19	1.81	14
CICV04-025	2-1/2	7.50	4.31	3.75	2.50	4.94	2.16	18
CICV04-03	3	9.00	5.00	4.31	3.00	5.94	2.50	27
CICV04-04	4	10.50	7.06	6.13	4.00	6.69	3.53	53
CICV04-05	5	11.30	7.31	6.88	5.00	7.31	3.97	69
CICV04-06	6	12.50	9.44	8.19	6.00	7.69	4.72	99
CICV04-08	8	16.00	11.75	10.25	8.00	9.25	5.88	205



#	PART	MATERIAL	DESIGNATION
001	Body	Cast Iron	A 126 Class B
003	Disc	Cast Iron	A 126 Class B
014	Cover	Cast Iron	A 126 Class B
024	Seat Holder	Cast Iron	A 126 Class B
061	Body Seat Ring	Bronze	B 62
062	Disc Seat Ring	Rubber (BUNA-N)	D 2000 AA 7008
159	Hinge Pin	Stainless Steel	A 276 Type 304
166	Plug	Malleable Iron	A 47
194	Cover Bolt & Nut	Steel	A307 Grade B
199	Seat Holder Bolt	Stainless Steel	A 276 Type 304
324	Cover Gasket	Rubber (BUNA-N)	D 2000 AA 7008