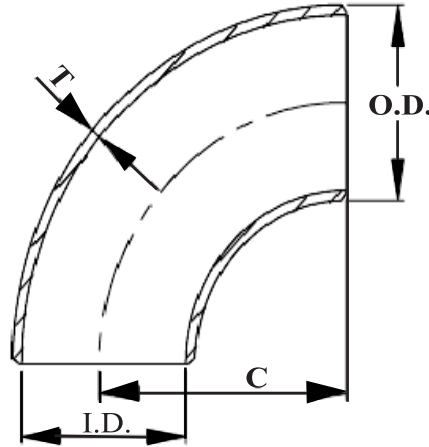


205 BUTT WELD 90° L/R ELBOWS STANDARD WALL CARBON STEEL



PART NO.	SIZE	OD	ID	T	C	WEIGHT IN LBS.
205-005	1/2"	0.84	0.622	0.109	1.50	0.16
205-007	3/4"	1.05	0.824	0.113	1.50	0.17
205-010	1"	1.32	1.054	0.133	1.50	0.40
205-012	1-1/4"	1.66	1.380	0.140	1.88	0.55
205-015	1-1/2"	1.90	1.610	0.145	2.25	0.80
205-020	2"	2.38	2.072	0.154	3.00	1.60
205-025	2-1/2"	2.88	2.474	0.203	3.75	3.20
205-030	3"	3.50	3.068	0.216	4.50	4.80
205-035	3-1/2"	4.00	3.548	0.226	5.25	6.60
205-040	4"	4.50	4.026	0.237	6.00	8.90
205-050	5"	5.56	5.044	0.258	7.50	15.10
205-060	6"	6.62	6.060	0.280	9.00	24.00
205-080	8"	8.62	7.976	0.322	12.00	47.80
205-100	10"	10.75	10.020	0.365	15.00	83.40
205-120	12"	12.75	12.000	0.375	18.00	123.00
205-140	14"	14.00	13.250	0.375	21.00	155.00
205-160	16"	16.00	15.250	0.375	24.00	206.00
205-180	18"	18.00	17.250	0.375	27.00	262.00
205-200	20"	20.00	19.250	0.375	30.00	324.00
205-240	24"	24.00	23.250	0.375	36.00	466.00
205-300	30"	30.00	29.250	0.375	45.00	720.00
205-360	36"	36.00	35.250	0.375	54.00	1039.00
205-420	42"	42.00	41.250	0.375	63.00	1420.00
205-480	48"	48.00	47.250	0.375	72.00	2000.00