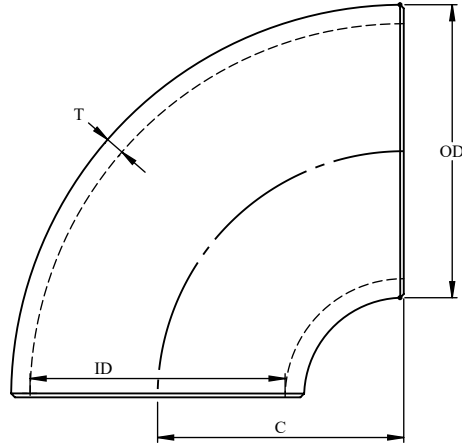


204 BUTT WELD 90° SHORT ELBOWS STANDARD WALL CARBON STEEL



PART NO.	SIZE	OD	ID	T	C	WEIGHT IN LBS.
204-010	1"	1.32	1.054	0.133	1.00	0.30
204-012	1-1/4"	1.66	1.380	0.140	1.25	0.40
204-015	1-1/2"	1.90	1.610	0.145	1.50	0.50
204-020	2"	2.38	2.072	0.154	2.00	1.00
204-025	2-1/2"	2.88	2.474	0.203	2.50	2.00
204-030	3"	3.50	3.068	0.216	3.00	3.00
204-035	3-1/2"	4.00	3.548	0.226	3.50	4.30
204-040	4"	4.50	4.026	0.237	4.00	6.10
204-050	5"	5.56	5.044	0.258	5.00	9.70
204-060	6"	6.62	6.060	0.280	6.00	16.70
204-080	8"	8.62	7.976	0.322	8.00	32.40
204-100	10"	10.75	10.020	0.365	10.00	56.30
204-120	12"	12.75	12.000	0.375	12.00	79.40
204-140	14"	14.00	13.250	0.375	14.00	104.00
204-160	16"	16.00	15.250	0.375	16.00	129.00
204-180	18"	18.00	17.250	0.375	18.00	163.00
204-200	20"	20.00	19.250	0.375	20.00	210.00
204-240	24"	24.00	23.250	0.375	24.00	297.00
204-300	30"	30.00	29.250	0.375	30.00	470.00
204-360	36"	36.00	35.250	0.375	36.00	692.00
204-420	42"	42.00	41.250	0.375	42.00	967.00
204-480	48"	48.00	47.250	0.375	48.00	1340.00