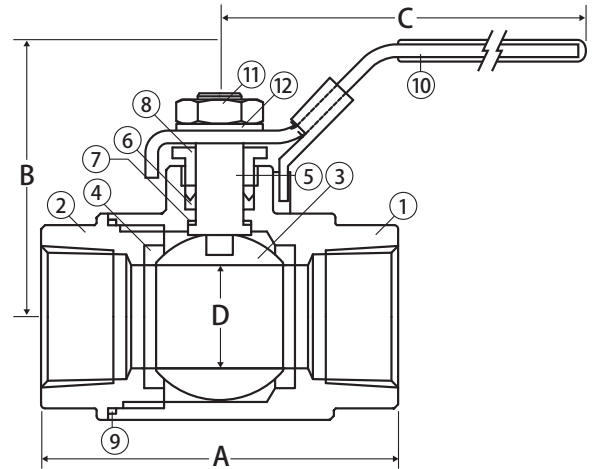


# Stainless Steel Ball Valve

**Morrill** INDUSTRIES, INC. **Jomar** VALVE

## 2 Piece • Full Port • Threaded Connection • 1000 WOG



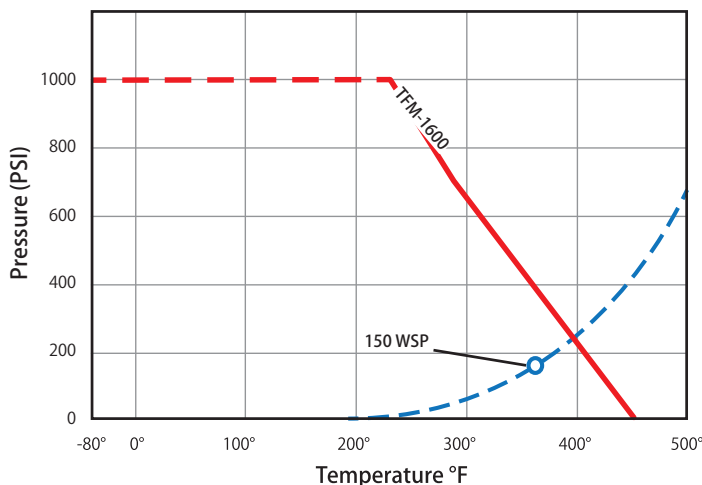
### Features

- Blow-out proof stem
- Cast stainless steel body
- Locking device standard
- 100% leak tested
- Wetted surfaces contain less than .25% lead content

### Approvals

- ANSI B1.20.1
- MSS SP-110

### Valve Seat Rating 1000 WOG - 150 WSP



### Material Specifications

No.	Part	Materials
1	Body	CF8M Stainless Steel
2	End Connection	CF8M Stainless Steel
3	Ball	CF8M Stainless Steel
4	Seat (2)	PTFE
5	Stem	316 Stainless Steel
6	Packing (2)	RPTFE
7	Stem Seal	PTFE
8	Packing Gland	316 Stainless Steel
9	Body Seal	PTFE
10	Handle	304 Stainless Steel
11	Handle Nut	304 Stainless Steel
12	Lock Washer	304 Stainless Steel

### Dimensions

Part No.	Size	A	B	C	D
	1/2"	2.24	2.29	4.53	0.59
	3/4"	2.68	2.40	4.53	0.79
	1"	3.15	3.03	5.04	0.98
	1-1/4"	3.59	3.19	5.04	1.26
	1-1/2"	4.05	3.54	6.10	1.50
	2"	4.88	4.25	6.10	1.97

**WARNING:** This product can expose you to chemicals including diisononyl phthalate (DINP), which is known to the State of California to cause cancer, and diisononyl phthalate (DINP), which is known to the State of California to cause birth defects or other reproductive harm. For more information go to [www.P65Warnings.ca.gov](http://www.P65Warnings.ca.gov).