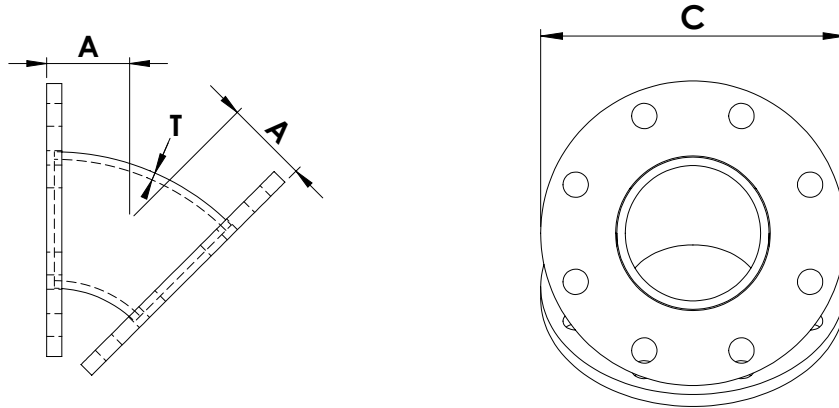


1529 45° FLANGED ELL



1529 45° FLANGED ELLS					
PART NO.	SIZE	DIMENSIONS			WEIGHT IN LBS.
		A	C	T	
1529-02A	2"	3.000"	6.00"	.154"	8.5
1529-03A	3"	2.375"	7.50"	.216"	13
1529-04A	4"	2.500"	9.00"	.237"	19
1529-05A	5"	3.375"	10.00"	.258"	23
1529-06A	6"	4.000"	11.00"	.280"	30
1529-08A	8"	5.250"	13.50"	.322"	49
1529-10A	10"	6.500"	16.00"	.188"	55
1529-12A	12"	7.500"	19.00"	.188"	80
1529-14A	14"	7.500"	21.00"	.250"	116
1529-16A	16"	8.000"	23.50"	.250"	140
1529-18A	18"	8.500"	25.00"	.250"	152
1529-20A	20"	9.500"	27.50"	.250"	185
1529-24A	24"	11.000"	32.00"	.250"	268
1529-30A	30"	15.000"	38.75"	.375"	532