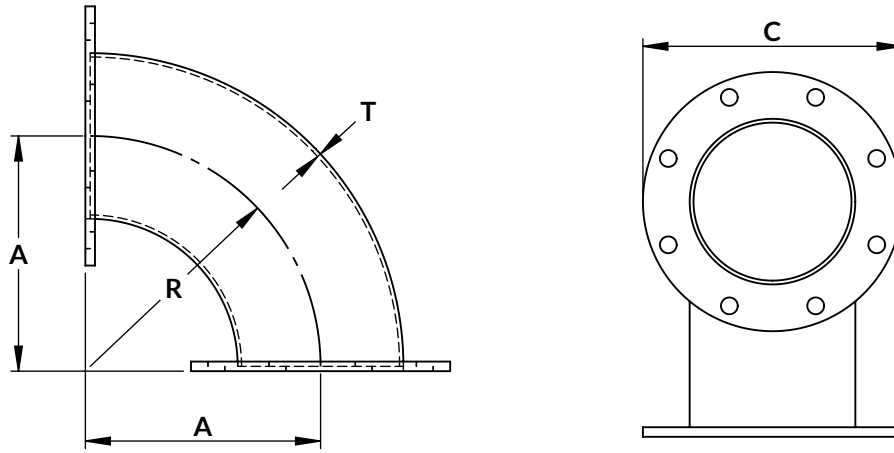


1526 FLANGED 90° ELL



1526 FLANGED 90° ELLS						
PART NO.	SIZE	DIMENSIONS				WEIGHT IN LBS.
		A	C	R	T	
1526-02	2"	3.38"	6.00"	3.00"	.154"	9
1526-03	3"	4.75"	7.50"	4.50"	.216"	16
1526-04	4"	6.25"	9.00"	6.00"	.237"	24
1526-05	5"	7.75"	10.00"	7.50"	.258"	33
1526-06	6"	9.25"	11.00"	9.00"	.280"	45
1526-08	8"	12.25"	13.50"	12.00"	.322"	78
1526-10	10"	10.00"	16.00"	9.75	.188"	65
1526-12	12"	12.00"	19.00"	11.75	.188"	95
1526-14	14"	14.00"	21.00"	13.75	.250"	150
1526-16	16"	16.00"	23.50"	15.75	.250"	190
1526-18	18"	18.00"	25.00"	17.75	.250"	220
1526-20	20"	20.00"	27.50"	19.75	.250"	270
1526-24	24"	24.00"	32.00"	23.75	.250"	385
1526-30	30"	30.00"	38.75"	29.75	.375"	785