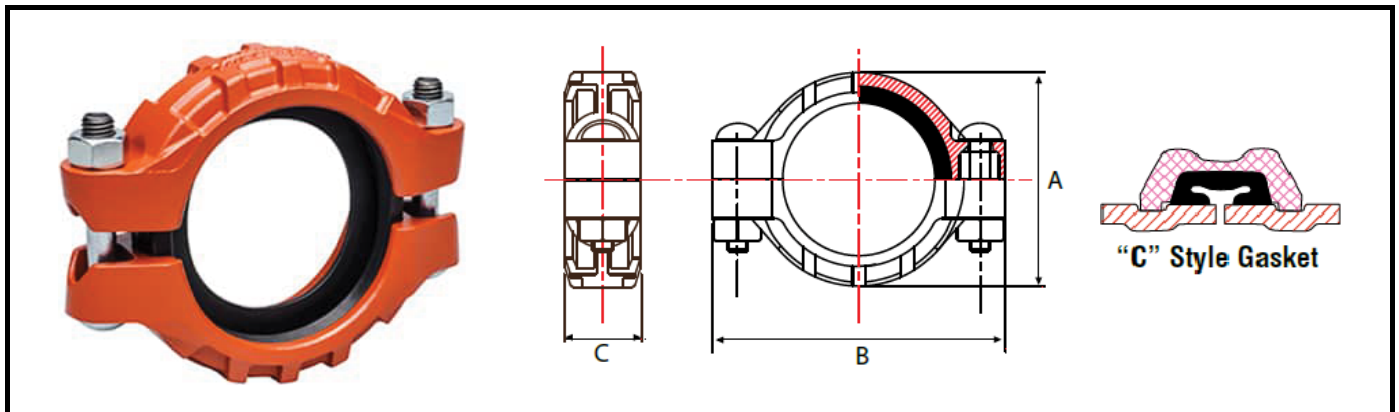


STANDARD WEIGHT FLEXIBLE COUPLING



PART NO.	SIZE	OD	MAX PIPE END GAP	DIMENSIONS (IN)			DEFLECTION DEGREES	NUMBER OF SECTIONS	WEIGHT IN LBS.
				A	B	C			
GVCFX-020	2"	2.375"	1/8	3.48	5.20	1.89	2.00	2	2.50
GVCFX-025	2 1/2"	2.875"	1/8	4.04	5.71	1.89	2.30	2	3.00
GVCFX-030	3"	3.500"	1/8	4.63	6.50	1.89	2.00	2	3.30
GVCFX-040	4"	4.500"	1/4	6.00	8.35	2.13	2.20	2	6.10
GVCFX-050	5"	5.563"	1/4	7.07	10.04	2.13	1.80	2	8.50
GVCFX-060	6"	6.625"	1/4	8.31	11.42	2.15	1.60	2	10.60
GVCFX-080	8"	8.625"	1/4	10.35	13.62	2.48	1.40	2	16.40
GVCFX-100	10"	10.750"	1/4	12.87	16.61	2.64	1.20	2	25.30
GVCFX-120	12"	12.750"	1/4	14.88	18.66	2.64	1.10	2	29.60
GVCFX-140	14"	14.000"	1/4	15.94	19.96	2.91	1.00	4	39.20
GVCFX-160	16"	16.000"	1/4	17.72	22.01	2.91	0.90	4	42.90
GVCFX-180	18"	18.000"	1/4	20.08	24.53	3.15	0.80	4	54.00
GVCFX-200	20"	20.000"	1/4	22.09	26.57	3.15	0.70	4	57.30
GVCFX-240	24"	24.000"	1/4	26.10	30.59	3.15	0.60	6	76.90

* Maximum working pressure depending on coupling size and schedule of pipe:

- 1" to 6" - 1000 psi (68.9 bar)
- 8" to 12" -800 psi (55.1 bar)
- 14" to 20" - 300 psi (20.6 bar) • 24" - 250 psi (17.2 bar)
- UL Listed & FM Approved - 1" through 12"
- Gasket Grade E- EPDM (green stripe)-30°F (-34°C) to +230°F (+110°C)
- Gasket Grade T - Nitrile (orange stripe) -20°F (-29°C) to+ 180°F (+82°C)
- Gasket Grade O - Fluoroelastomer (blue stripe) +20°F (-6°C) to +300°F (+149°C)
- Ductile iron housings conform to ASTM A-536 Grade 65-45-12
- Groove dimensions to AWWA C-606
- Finishes: Orange enamel paint. Hot dipped galvanized conforming to ASTM A-153

