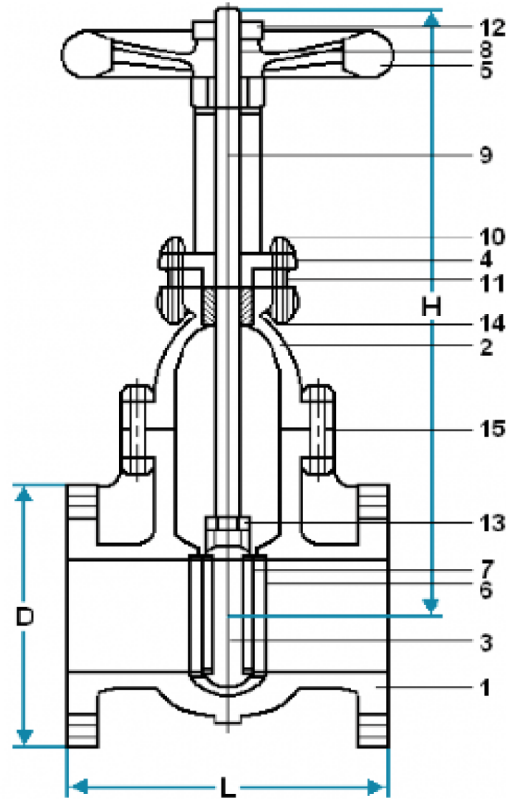


- Gate Valve-Flanged Ends
- 200 WOG
- Iron Body, Bronze Mounted (IBBM)
- Bolted Bonnet
- Outside Stem & Yoke Rising Stem
- Solid Wedge
- Conforms to MSS-SP70
- Flanged Ends Conform with ANSI B16.1
- Bituminous Coating
- Sizes 3" - 10"



PART #	SIZE (IN)	L	H	D
CIGV08-03	3	8.00	11.98	7.53
CIGV08-04	4	9.06	15.96	9.02
CIGV08-06	6	10.52	21.67	10.99
CIGV08-08	8	11.50	27.97	13.51
CIGV08-10	10	13.00	34.67	15.99

#	PART	MATERIAL
1	Body	Cast Iron A126 CLB
2	Bonnet	Cast Iron A126 CLB
3	Disc	Cast Iron A126 CLB
4	Gland	Cast Iron A126 CLB
5	Handwheel	Cast Iron A126 CLB
6	Body Seat Ring	Bronze B62
7	Disc Seat Ring	Bronze B62
8	Yoke Sleeve	Bronze B62
9	Stem	Stainless Steel 2Cr13
10	Bonnet Nut	Steel
11	Bonnet Bolt	Steel
12	Top Nut	Cast Iron A126 CLB
13	Stem Nut	Bronze B62
14	Packing	PTFE
15	Bonnet Gasket	Non Asbestos Commercial